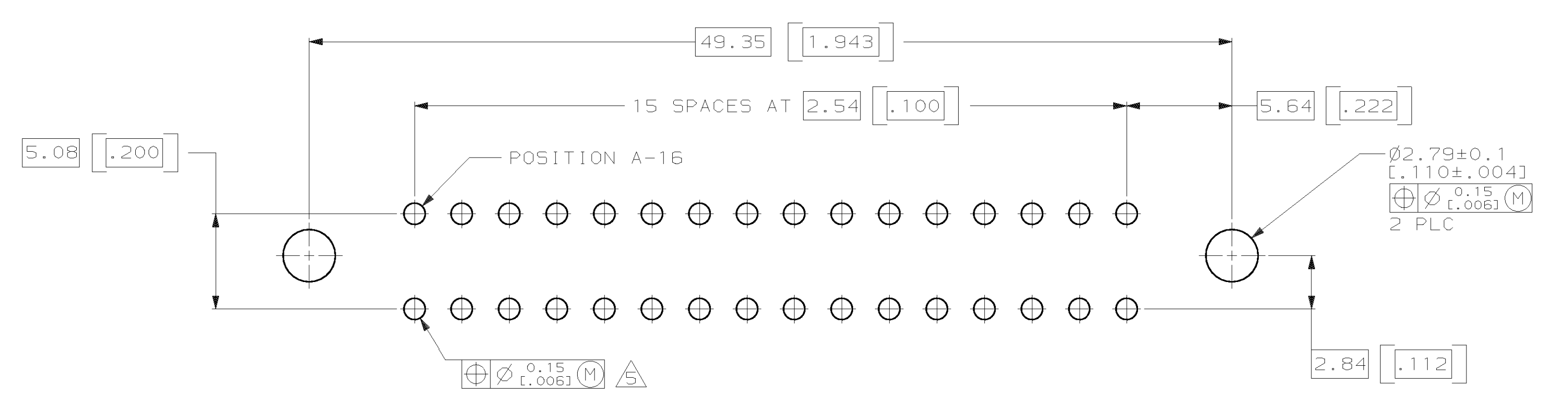
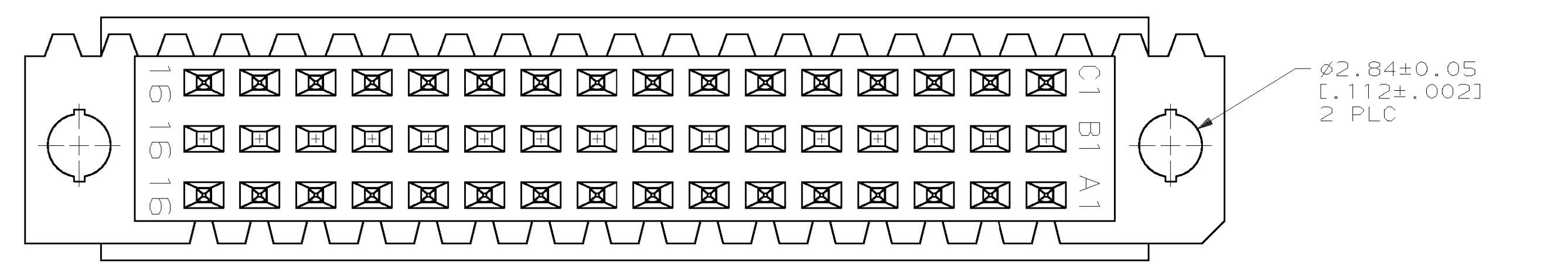
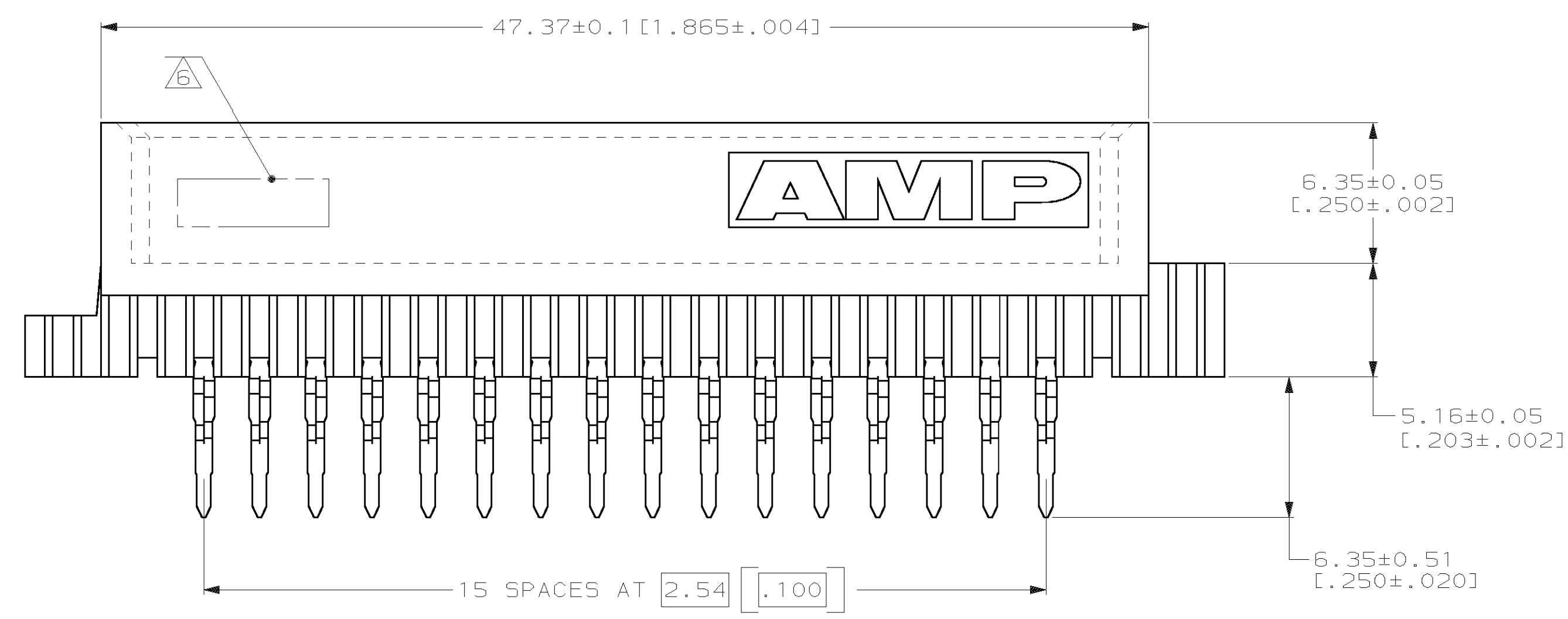
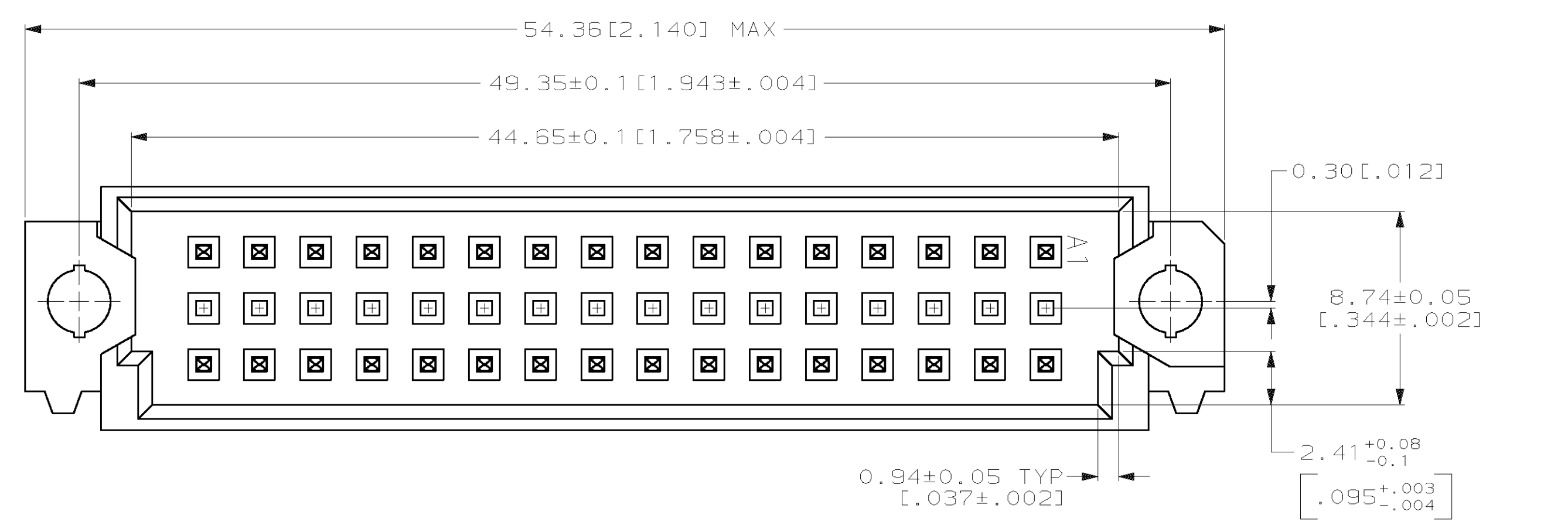
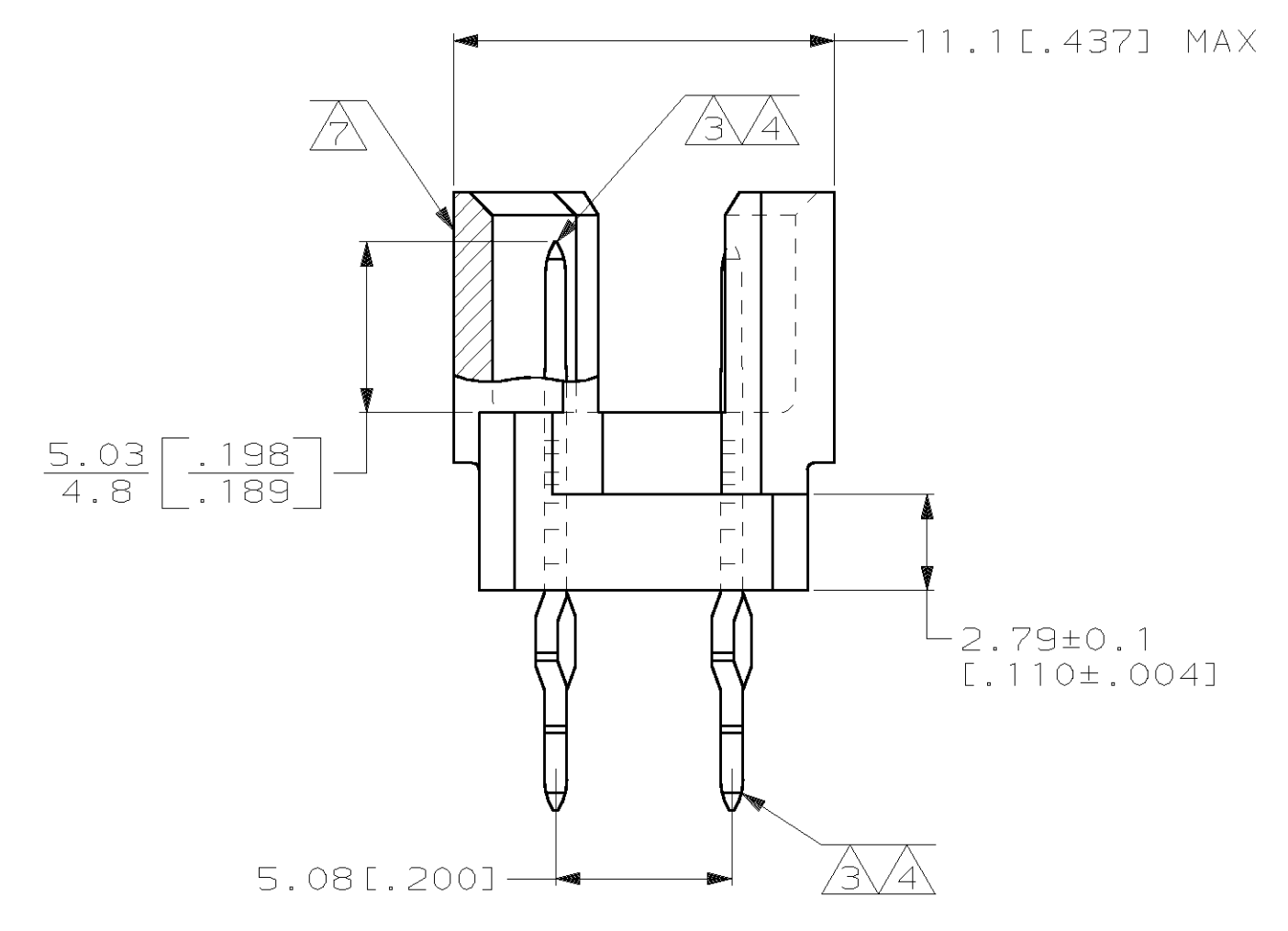


LOC		DIST		REVISONS		DATE	APPD
AD	25	P	F	ZONE	LTR	DESCRIPTION	APPD
				H		EC 0010-0436-94	3/25/94
				J		REACTIVATED -4 PER EC 001B-0258-00	18 SEP 00



- 1 HOUSING MATERIAL: GLASS-FILLED POLYESTER. COLOR: GRAY.
- 2 POST MATERIAL: PHOSPHOR BRONZE.
- 3 POST FINISH: DIN 41612 CLASS 3 IN CONTACT AREA. TIN-LEAD PLATE ON POSTS.
- 4 POST FINISH: DIN 41612 CLASS 2 IN CONTACT AREA. TIN-LEAD PLATE ON POSTS.
- 5 ACTION PIN POSTS REQUIRE 2.36[.093] MINIMUM THICK PC BOARD. RECOMMENDED PC BOARD HOLES ARE 1.151[.0453] DIA PLATED THROUGH WITH 0.02-0.08[.001-.003] COPPER AND 0.008[.0003] MINIMUM TIN-LEAD PLATING. FINISHED HOLE AFTER PLATING, 0.94-1.09[.037-.043] DIA.
- 6 [PART NUMBER, DATE CODE] MARKED THIS APPROXIMATE AREA.
- 7 MARKING ON THIS SIDE.
- 8 POST FINISH: 0.76µm[.000030] MIN GOLD IN CONTACT AREA. 1.27µm[.000050] MIN NICKEL UNDERPLATE ALL OVER. TIN-LEAD PLATE ON POSTS.



NOTES	POSITIONS LOADED	C	B	A	NO. OF LOADED POSITION	ASSY PART NUMBER
OBSOLETE						

PART NO		NAME	
DO NOT SCALE PRINT. UNLESS SPECIFIED DIMENSIONS IN mm [INCHES] TOLERANCES ON:	DR L. BRINER 3/18/91	AMP Incorporated Harrisburg, PA 17105-3508	
1 PLC DEC ± -	CHK D.C. RUBENDALL 3/26/91	PIN ASSEMBLY, EUROCARD, TYPE "1/2R"	
2 PLC DEC ±0.13[.005]	APPD D.C. RUBENDALL 3/26/91	SIZE D	CAGE CODE 00779
ANGLES ± -	APPD K.R. PARMER 3/26/91	DRAWING NO	650931
HOUSING: 1	PRODUCT SPEC -	SCALE	5:1
POST: 2	APPLICATION SPEC -	SHEET	1 OF 1
FINISH	WEIGHT -	CUSTOMER DRAWING	